

# Regina's Magic Mushroom Garden: Block A: High Heeled Fairies Paper Piecing Pattern

Regina Grewe  
Ostenallee 21  
D-59174 Kamen  
www.reginagrewe.de  
info@reginagrewe.de



1 inch  
When printing the PDF file, please make sure that your page scaling options are set to 'none'.  
In the printout, the lines below should measure exactly 1 inch.

1 inch

This is a block from a series. Download mushroomgarden.pdf from my website to see the entire layout plan.  
All project measurements are centimeters.



front



back

This block is offered in two sizes: 12 x 16 and 15 x 20 cm without seam allowances.

You can easily change the size of blocks to your needs by adjusting the page scaling in the printer settings of your computer or copier.

Here is the formula:

$(\text{Desired size}) / (\text{Actual size}) \times 100 = \text{percentage for scaling}$

Example: If you want to enlarge a block from its actual size of 6" to 8", you calculate:  $8" / 6" \times 100 = 133,33 \%$ .

Use paper piecing to sew the individual segments and join according to the diagram if necessary.

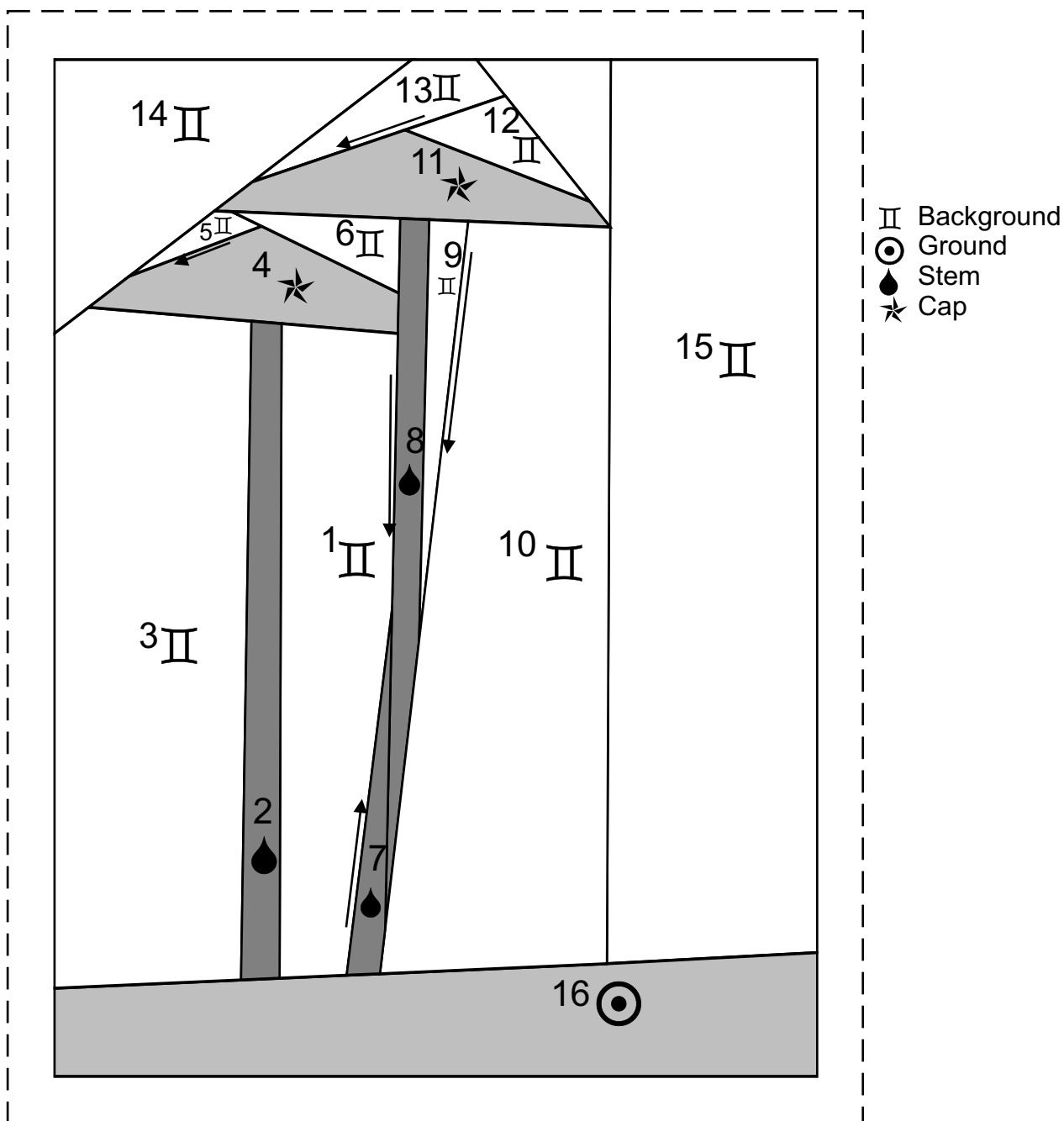
Add borders as desired or collect all blocks for the Magic Mushroom Garden!

Check out my paper piecing tips at [www.reginagrewe.de](http://www.reginagrewe.de)

This pattern is intended exclusively for your personal use.  
Copyright 2009 Regina Grewe - All rights reserved

# Regina's Magic Mushroom Garden: Block A: High Heeled Fairies

12 x 16 cm



## Tips for PP Beginners

This mushroom consists of a single foundation - that's easy to sew! Just follow the numbers starting at #1. Pay attention to the symbols; they indicate the appropriate fabric for each piece.

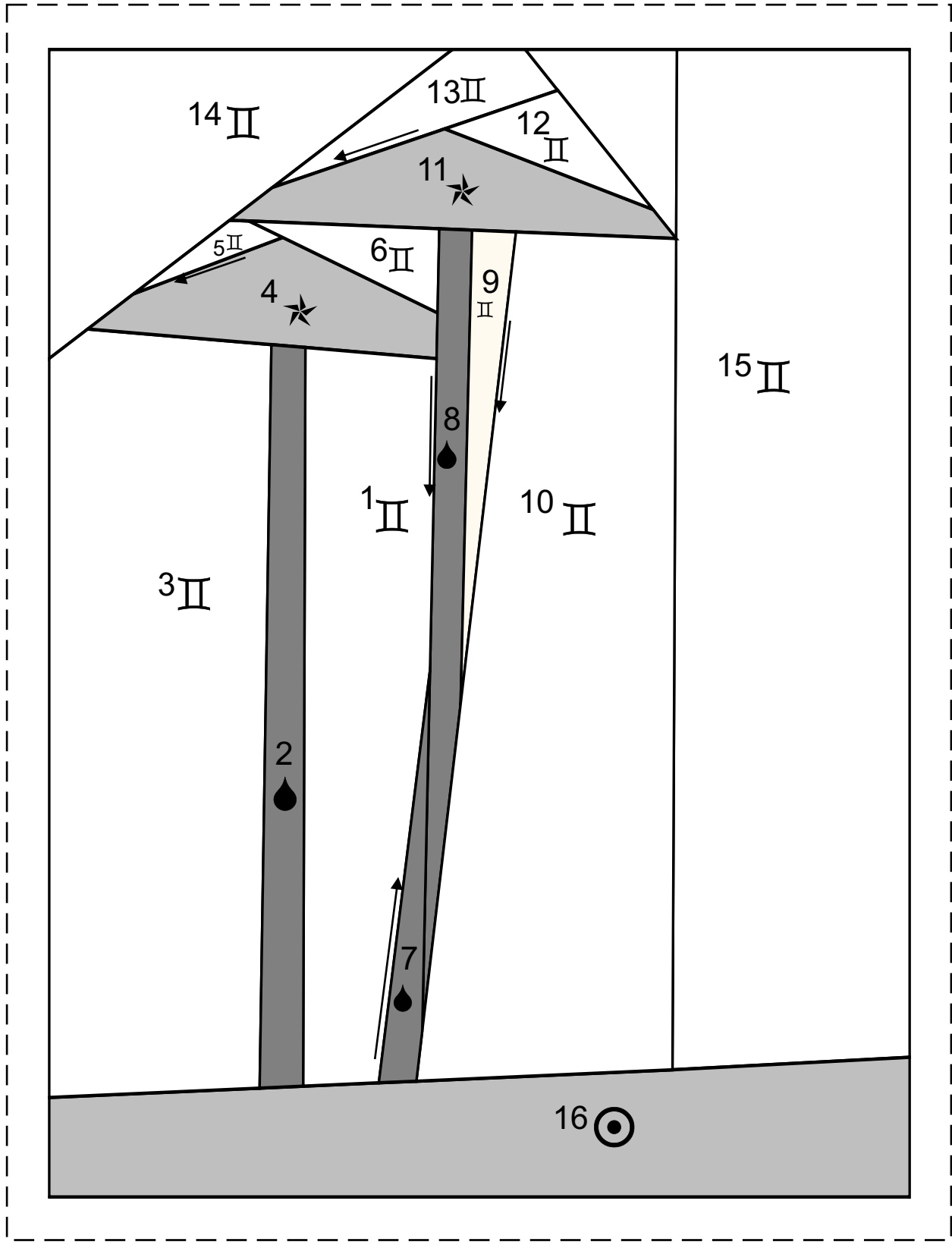
In nature each mushroom is different - use many different fabrics.

Arrows on sewing lines show the suggested sewing direction.

Trim the seam allowances very close to the seam after adding tiny pieces. No danger - there is very little stress on these built in seams.

Basic paper piecing principles are available in magazines, books, on the internet and in classes.

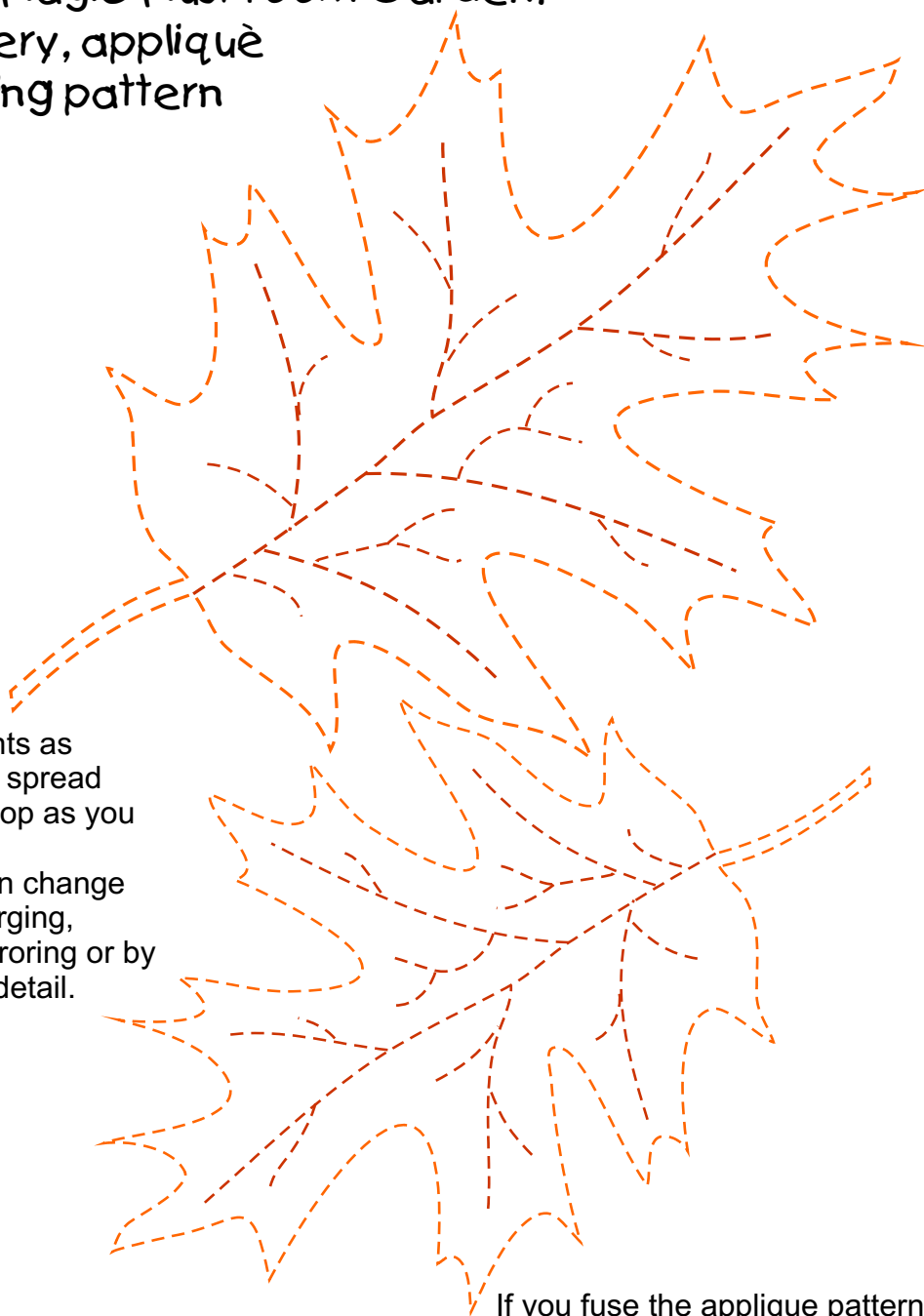
Regina's Magic Mushroom Garden:  
Block A: High Heeled Fairies



15 x 20 cm

This pattern is intended exclusively for your personal use.  
Copyright 2009 Regina Grewe - All rights reserved

## Regina's Magic Mushroom Garden: embroidery, appliqué and quilting pattern



Place elements as suggested or spread them on the top as you like.

You may even change them by enlarging, reducing, mirroring or by using only a detail.

**Embroidery:** Use backstitch or stemstitch with 2 plys of embroidery floss or pearl cotton to stitch the lines. Add points or dots to the cap using french knots or satin stitch if you like. Grow some grass!

**Appliqué:** This pattern does not include seam allowances. Appliqué shapes using your favorite method in ascending order, beginning with shape # 1.

If you fuse the applique pattern, you should make a mirror image copy of the original pattern - otherwise your motif will be "the wrong way around".

**Hand quilting:** Just follow the lines...

Line drawings work for all these techniques as well as in combination. Feel free to alter them and add details to make your very own design!